

Anderungen vorbehalten!
SUBJECT TO ALTERATIONS!
200 Stereo II/22062 a

ZF/F: AM 460kHz FM 6,75MHz
Gleichspannungsmessung mit Voltmeter Ra 20kR/V
D.C. VOLTAGE TEST WITH VOLTMETER Ra 20kR/V

Widerstände
RESISTORS

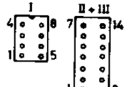
- 1/10W
- 1/4W
- 1W
- 2W
- 4W

Röhren-Fassungen
TUBE SOCKETS (from below)

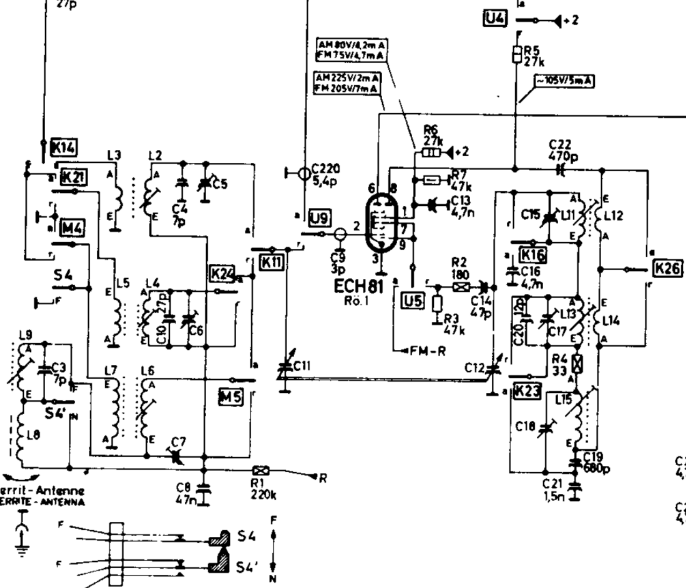
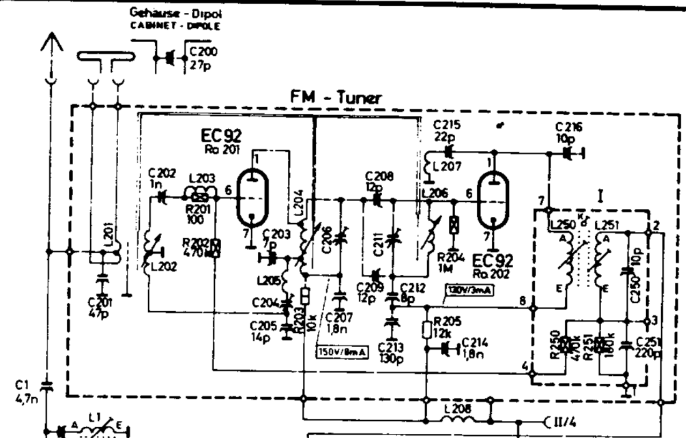
Meß-Buchse
TEST SOCKET (from above)

Kondensatoren
CAPACITORS

- 1p = 100nF
- 1n = 0001µF
- µ = 1µF



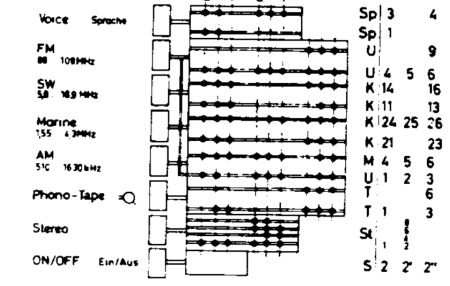
Filter-Anschlüsse
F-TANSF CONNECTIONS (from below)



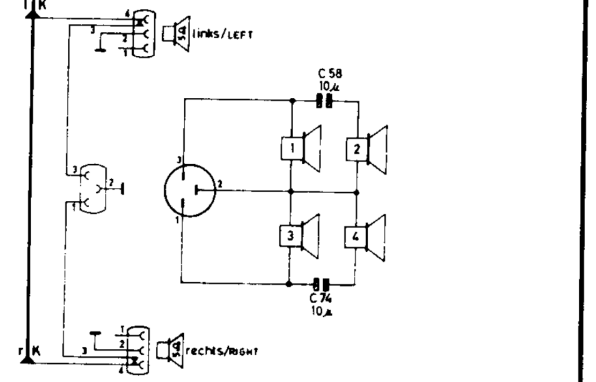
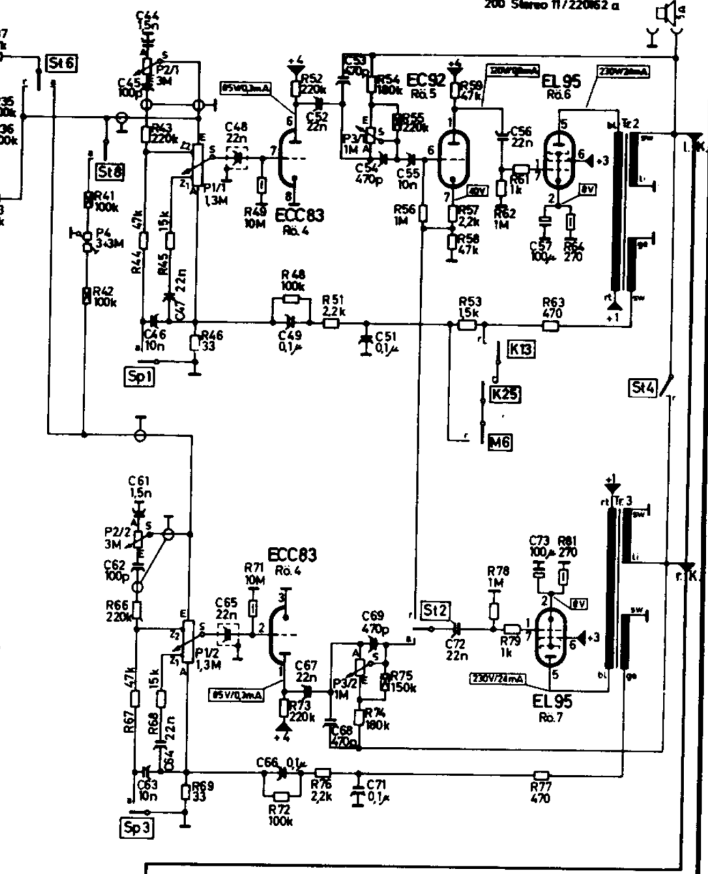
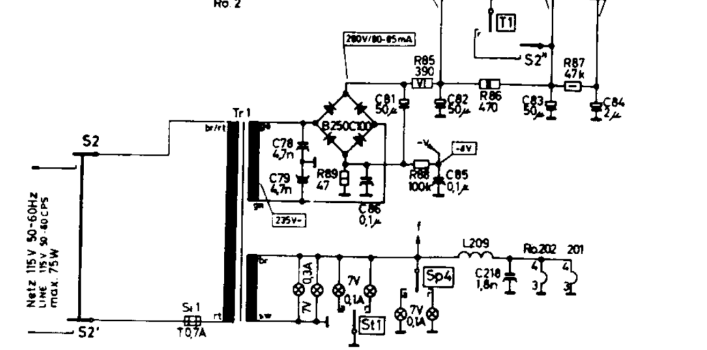
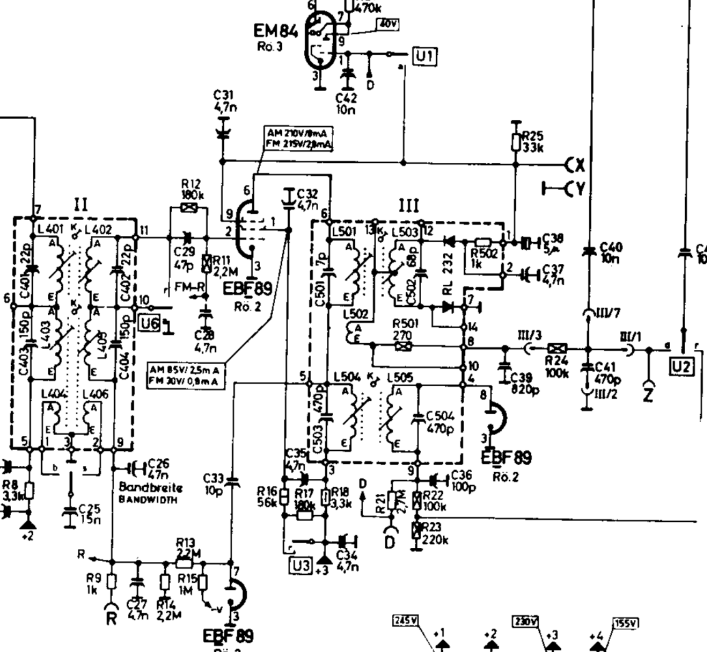
Ferrit-Antenne
FERRITE-ANTENNA

Ferrit-Antennen-Schalter
FERRITE-ANTENNA-SWITCH

Drucktastenaggregat
KEY ASSEMBLY



□ = Arbeitskontakt/OPERATING CONTACT
● = Ruhekontakt/RESTING CONTACT



SABA
200 Stereo 11